



Fixing Guide

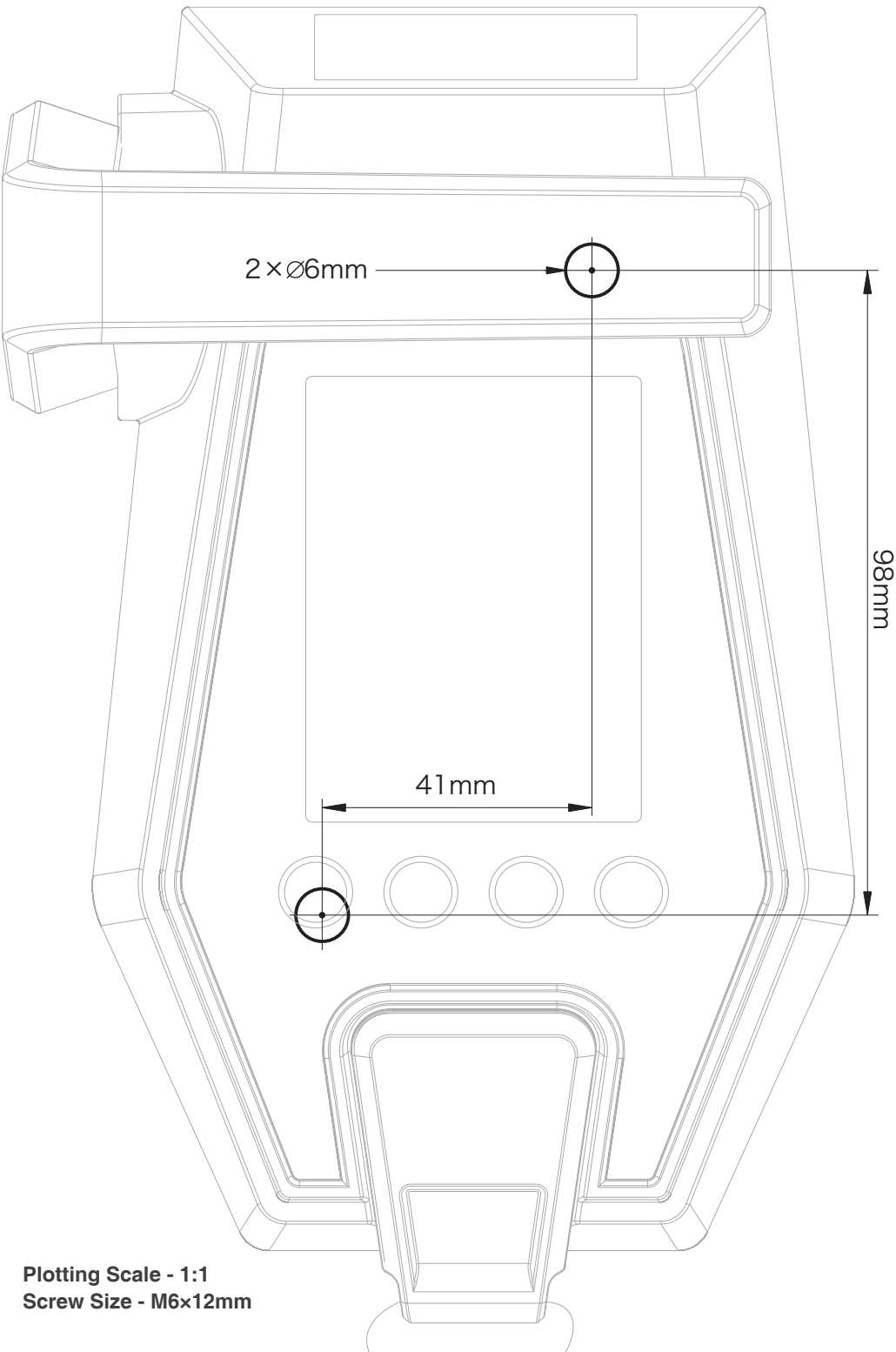
For SPIRIT 1.0 Remote Control

This is a guide for fixing the remote control on a flat surface of the boat. Please refer to the back-side of this card. The two bold circles indicate position of the two 5mm-deep-holes of the remote control. The M6×12mm screws in the package can be used to screw in the holes. If the length doesn't match, users should adopt other screws.

Please contact your local dealer or service@epropulsion.com. If you have any questions or feedback regarding this stationary operation. Your feedback is highly appreciated.

ePropulsion Innovation (HK) Ltd.

Room 1501(682), 15/F Spa CTR 53 - 55
Lockhart Rd, WanChai, Hong Kong



Plotting Scale - 1:1
Screw Size - M6x12mm